



Page 502
Prism Ø 50 135°
 with screwed-in collar



Page 502
Prism Ø 50 135°
 with screwed-in collar



Page 502
Prism Ø 50 135°
 with screwed-in collar



Page 503
Vario Prism Ø 50 90° / 120°
 with screwed-in collar



Page 503
Vario Prism Ø 50 90° / 120°
 with screwed-in collar



Page 503
Vario Prism Ø 50 90° / 120°
 with screwed-in collar



Page 504
Prism Ø 60 135°
 with screwed-in collar



Page 504
Prism Ø 60 135°
 with screwed-in collar



Page 504
Prism Ø 60 135°
 with screwed-in collar



Page 505
Prism Ø 120 157°
 with screwed-in collar



Page 505
Prism Ø 120 157°
 with screwed-in collar



Page 505
Prism Ø 120 157°
 with screwed-in collar



Page 506
Prism Ø 80 90°
 with screwed-in collar



Page 506
Prism Ø 80 90°
 with screwed-in collar



Page 506
Prism Ø 80 90°
 with screwed-in collar



Page 507
Set of Supports 11-piece set



Page 508
Prism Extension 25



Page 508
Prism Extension 50



Page 508
Prism Extension 100



Page 508
Prism Extension 150



Page 508
Prism Collar Screw



Page 509
Screw Support Ø 80



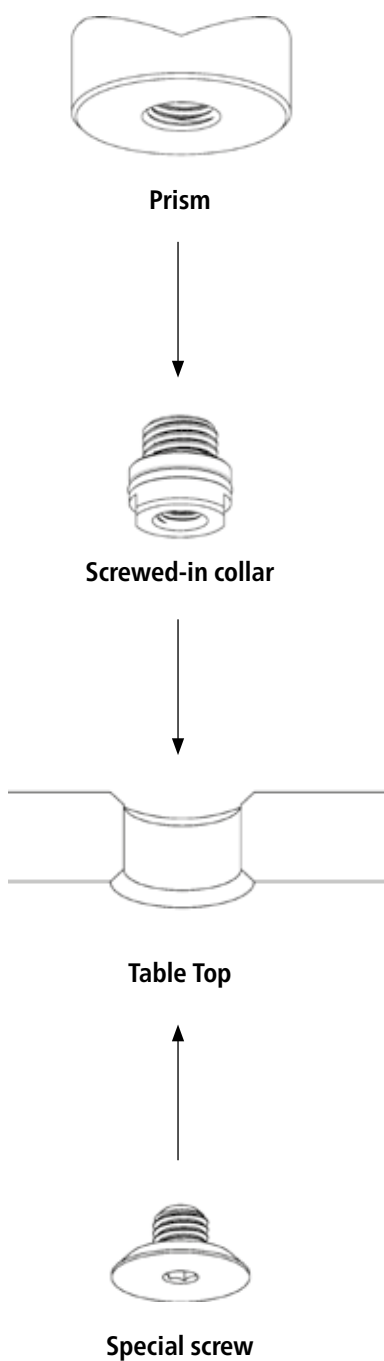
Page 510
Support height adjustable with scale



Prisms

All System 22 Prisms are equipped with a removable screwed-in collar.

Included in delivery of each Prism is a screwed-in collar and a countersunk bolt.



PRISM Ø 50 135°

Page 502

STYLES

Burnished
Aluminum
Polyamide



VARIO PRISM Ø 50 90° / 120°

Page 503

STYLES

Burnished
Aluminum
Polyamide



PRISM Ø 60 135°

Page 504

STYLES

Burnished
Aluminum
Polyamide

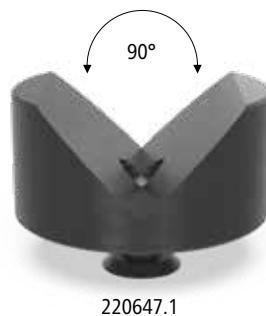


PRISM Ø 80 90°

Page 506

STYLES

Burnished
Aluminum
Polyamide

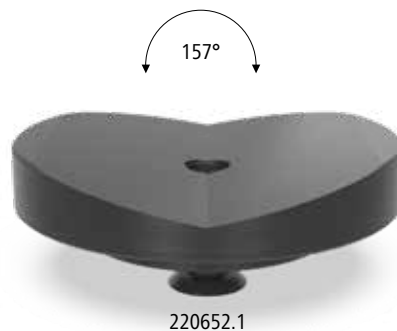


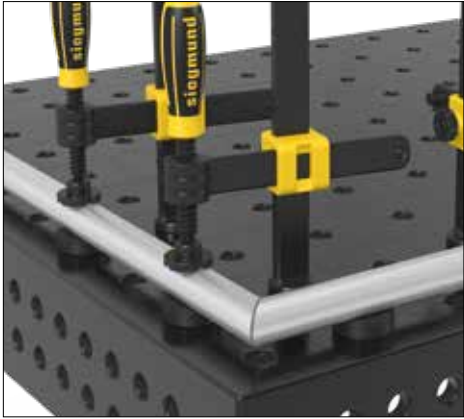
PRISM Ø 120 157°

Page 505

STYLES

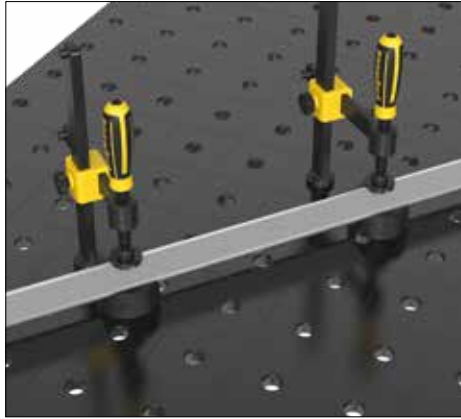
Burnished
Aluminum
Polyamide





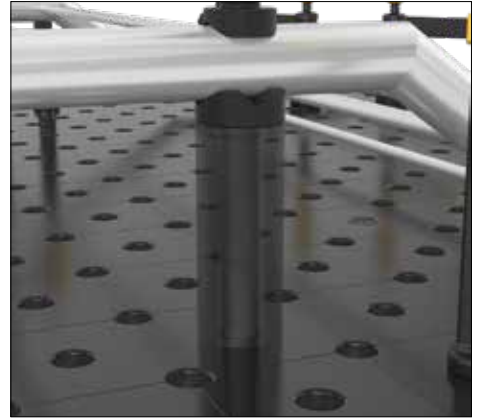
WITH COLLAR IN BORE HOLE

Prism with collar is applicable for all System 22 boreholes, and provides a sturdy support surface for pipes.



WITHOUT COLLAR ON TABLE

All System 22 Prisms can be used without collar. Consequently they can be positioned on the table independently from the hole grid.



WITH PRISM EXTENSION

If required, a prism extension can be screwed in. It enables positioning at different heights, in combination with spacer washers and support discs. In combination with the screw support infinitely variable positioning is possible.

See Set of Supports (Item No. 220821) or Screw Support (Item No. 220822).

PRISM EXTENSION

It can be quickly and securely screwed into all Prisms.



Application



220649.3



220649.2



220649.1



220649



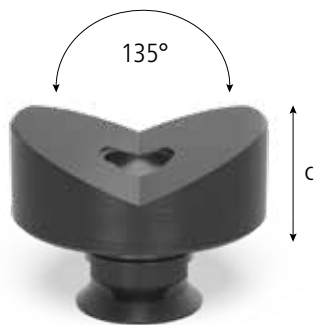
Prism Ø 50 135° with screwed-in collar

Description:

Prism Ø 50 135° provides a stable support surface for pipes with a diameter up to 80 mm.

The prism with screwed-in collar can be fastened in the bore holes and securely fixed using the M10 countersunk screw (Item No. 220649.0). For free positioning of the prism independent of the hole grid you can easily unscrew the collar from the prism. If necessary, the working height of the prism can be varied by a prism extension.

Polyamid Prisms are used for scratch-prone surfaces.



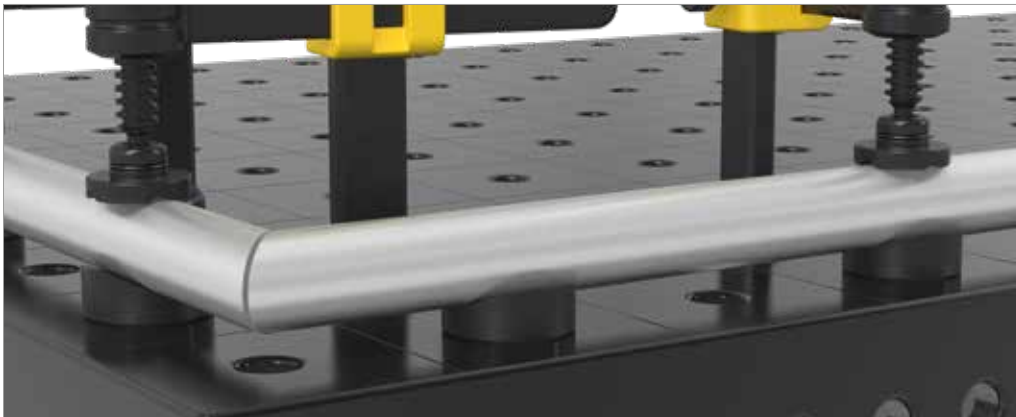
220648.1



220648.1.A



220648.1.PA



	Height: (c)	Ø: (o)	Weight:	Item No.
Prism Ø 50 135° with screwed-in collar - burnished - M10 thread for example prism extensions Item No. 220649	20 mm	50 mm	0,26 kg	2-220648.1 ●
Prism Ø 50 135° with screwed-in collar - Aluminum - M10 thread for example prism extensions Item No. 220649	ALU 20 mm	50 mm	0,16 kg	2-220648.1.A ●
Prism Ø 50 135° with screwed-in collar - Polyamide - M10 thread for example prism extensions Item No. 220649	PA 20 mm	50 mm	0,08 kg	2-220648.1.PA ●

● = Item produced for stock; ○ = Item produced on order; Explanations see page 84

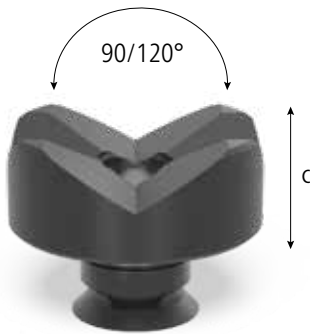
Prism Ø 50 90° / 120° with screwed-in collar

Description:

Vario Prism, suitable for both rounded and 45° twisted square pipes with a diameter of up to 50 mm.

The prism with screwed-in collar can be fastened in the bore holes and securely fixed using the M10 countersunk screw (Item No. 220649.0). For free positioning of the prism independent of the hole grid you can easily unscrew the collar from the prism. If necessary, the working height of the prism can be varied by a prism extension.

Polyamid Prisms are used for scratch-prone surfaces.



220645.1



220645.1.A



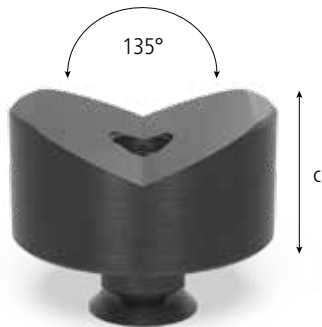
220645.1.PA



	Height: (c)	Ø: (o)	Weight:	Item No.
Vario Prism Ø 50 90° / 120° with screwed-in collar - burnished - M10 thread for example prism extensions Item No. 220649	20 mm	50 mm	0,30 kg	2-220645.1 ●
Vario Prism Ø 50 90° / 120° with screwed-in collar - Aluminum - M10 thread for example prism extensions Item No. 220649	ALU 20 mm	50 mm	0,15 kg	2-220645.1.A ●
Vario Prism Ø 50 90° / 120° with screwed-in collar - Polyamide - M10 thread for example prism extensions Item No. 220649	PA 20 mm	50 mm	0,08 kg	2-220645.1.PA ●

● = Item produced for stock; ○ = Item produced on order; Explanations see page 84

Prism Ø 60 135° with screwed-in collar



220651.1



220651.1.A



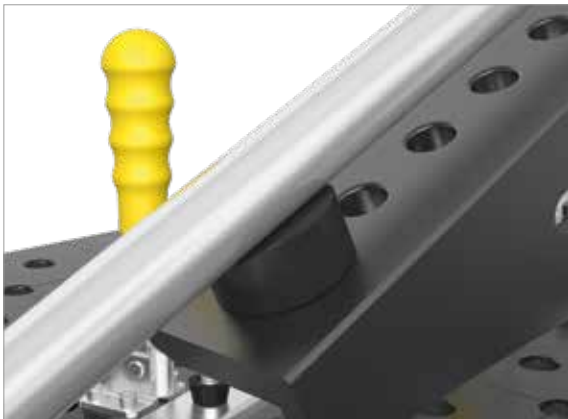
220651.1.PA

Description:

Prism Ø 60 135°, especially suitable for pipes with a diameter up to 80 mm.

The prism with screwed-in collar can be fastened in the bore holes and securely fixed using the M10 countersunk screw (Item No. 220649.0). For free positioning of the prism independent of the hole grid you can easily unscrew the collar from the prism. If necessary, the working height of the prism can be varied by a prism extension.

Polyamid Prisms are used for scratch-prone surfaces.



	Height: (c)	Ø: (o)	Weight:	Item No.
Prism Ø 60 135° with screwed-in collar - burnished - M10 thread for example prism extensions Item No. 220649	30 mm	60 mm	0,58 kg	2-220651.1 ●
Prism Ø 60 135° with screwed-in collar - Aluminum - M10 thread for example prism extensions Item No. 220649	ALU 30 mm	60 mm	0,32 kg	2-220651.1.A ●
Prism Ø 60 135° with screwed-in collar - Polyamide - M10 thread for example prism extensions Item No. 220649	PA 30 mm	60 mm	0,13 kg	2-220651.1.PA ●

● = Item produced for stock; ○ = Item produced on order; Explanations see page 84

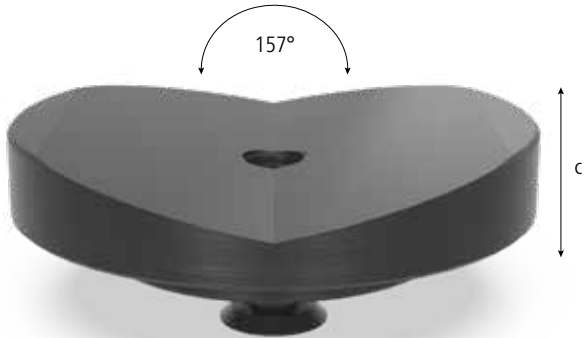
Prism Ø 120 157° with screwed-in collar

Description:

Prism Ø 120 with 157° angle, designed for large pipes with a diameter of up to 400 mm. Above all, it creates a solid support surface for round pipes.

The prism with screwed-in collar can be fastened in the bore holes and securely fixed using the M10 countersunk screw (Item No. 220649.0). For free positioning of the prism independent of the hole grid you can easily unscrew the collar from the prism. If necessary, the working height of the prism can be varied by a prism extension.

Polyamid Prisms are used for scratch-prone surfaces.



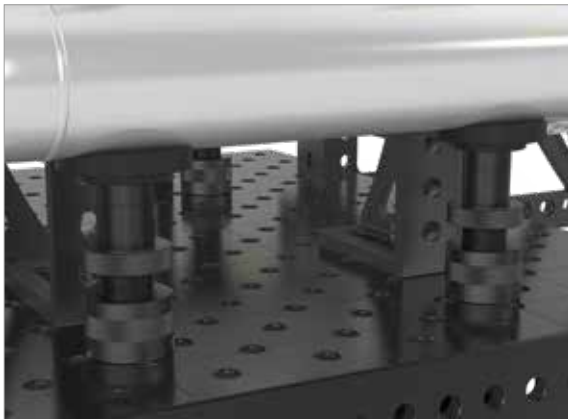
220652.1



220652.1.A



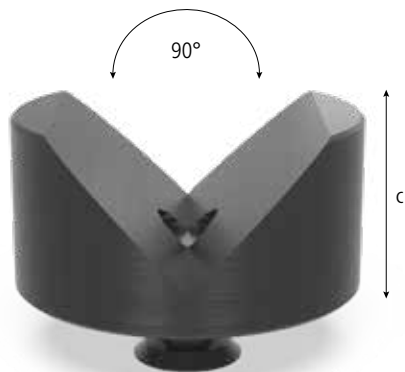
220652.1.PA



	Height: (c)	Ø: (o)	Weight:	Item No.
Prism Ø 120 157° with screwed-in collar - burnished - M10 thread for example prism extensions Item No. 220649	30 mm	120 mm	1,74 kg	2-220652.1 ●
Prism Ø 120 157° with screwed-in collar - Aluminum - M10 thread for example prism extensions Item No. 220649	ALU 30 mm	120 mm	0,91 kg	2-220652.1.A ●
Prism Ø 120 157° with screwed-in collar - Polyamide - M10 thread for example prism extensions Item No. 220649	PA 30 mm	120 mm	0,30 kg	2-220652.1.PA ●

● = Item produced for stock; ○ = Item produced on order; Explanations see page 84

Prism Ø 80 90° with screwed-in collar



220647.1



220647.1.A



220647.1.PA

Description:

Prism Ø 80 90°, creates a solid support surface for pipes with diameters up to 100 mm, as well as for all rectangular pipes.

The prism with screwed-in collar can be fastened in the bore holes and securely fixed using the M10 countersunk screw (Item No. 220649.0). For free positioning of the prism independent of the hole grid you can easily unscrew the collar from the prism. If necessary, the working height of the prism can be varied by a prism extension.

Polyamid Prisms are used for scratch-prone surfaces.



	Height: (c)	Ø: (o)	Weight:	Item No.
Prism Ø 80 90° with screwed-in collar - burnished - M10 thread for example prism extensions Item No. 220649	40 mm	80 mm	1,07 kg	2-220647.1 ●
Prism Ø 80 90° with screwed-in collar - Aluminum - M10 thread for example prism extensions Item No. 220649	ALU 40 mm	80 mm	0,57 kg	2-220647.1.A ●
Prism Ø 80 90° with screwed-in collar - Polyamide - M10 thread for example prism extensions Item No. 220649	PA 40 mm	80 mm	0,20 kg	2-220647.1.PA ●

● = Item produced for stock; ○ = Item produced on order; Explanations see page 84

Set of Supports 11-piece set

Description:

11-piece Set of Supports, offers the option to vary the height of the support surface. The individual supports can be used to compensate for 1-100 mm height differences. The lowest grading of the supports is 1 mm, in order to achieve the intended height precisely. The measurements are specified on the particular discs. Aided by the O-rings, the Supports can be adjusted easily and precisely. The Set of Supports can be universally used in all drill holes of system 22. The M10 thread on the inside of the supports enables fastening of customer-specific components or prisms.



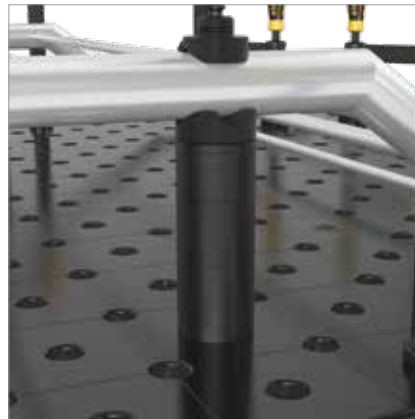
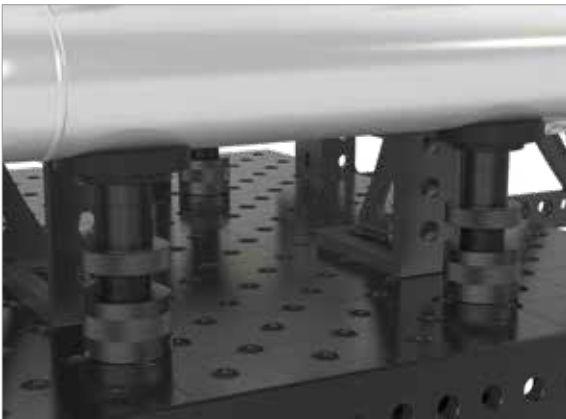
220821



220821.1



220821.2



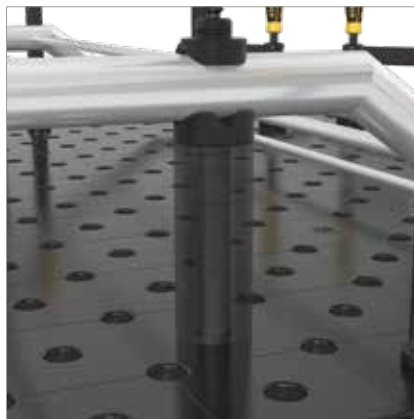
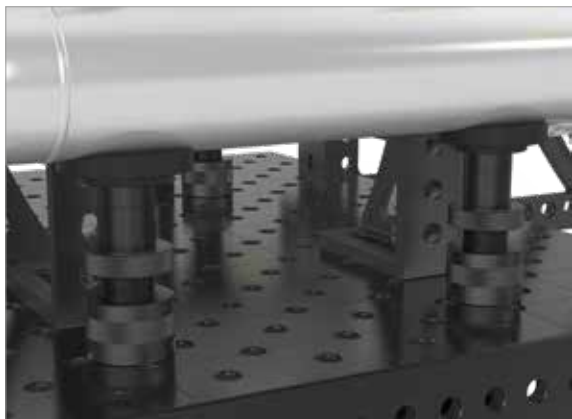
	Height: (c)	Ø: (o)	Weight:	Item No.
Set of Supports 11-piece set - burnished	125 mm	50 mm	2,01 kg	2-220821 ●
Tower for Supports - burnished	125 mm	50 mm	0,39 kg	2-220821.1 ●
Washer Set - gradation of discs: 1 / 2 / 3 / 4 / 5 mm 10 / 20 / 40 / 50 mm incl. 1/10" disc 2,54 mm		50 mm	1,62 kg	2-220821.2 ●

● = Item produced for stock; ○ = Item produced on order; Explanations see page 84

Prism Extension

Description:

Prism Extension, enables infinite positioning in combination with spacers or supports (see set of supports Item No. 220821, or screw support Item No. 220822). The Prism Extension can be screwed into all prisms quickly and safely.



	Length: (a)	Ø: (o)	Weight:	Item No.
Prism Extension 25 - burnished	25 mm	22 mm	0,07 kg	2-220649 ●
Prism Extension 50 - burnished	50 mm	22 mm	0,14 kg	2-220649.1 ●
Prism Extension 100 - burnished	100 mm	22 mm	0,28 kg	2-220649.2 ●
Prism Extension 150 - burnished	150 mm	22 mm	0,42 kg	2-220649.3 ●
Prism Collar Screw - burnished	12 mm	22 mm	0,04 kg	2-220669 ●

● = Item produced for stock; ○ = Item produced on order; Explanations see page 84
 Upon request, all parts are available in aluminum or polyamide version.

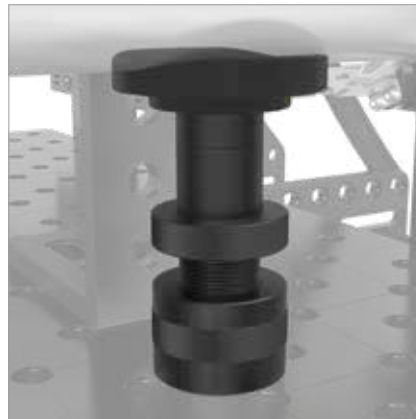
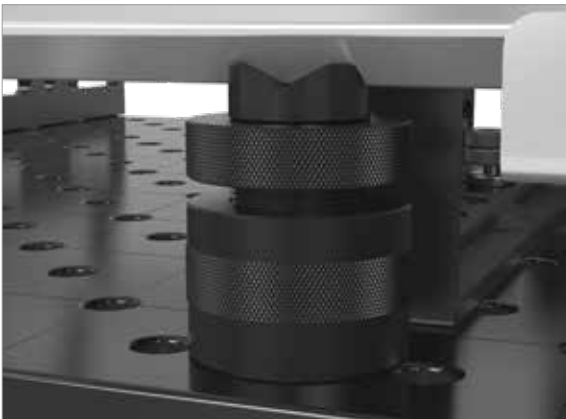
Screw Support

Description:

Screw Support, especially intended for Vernier height adjustments ranging from 75-110 mm. The height compensation can be clearly increased by using prism extensions and the set of Supports.



220822



Screw Support Ø 80
- burnished

Height: (c)	Ø: (o)	Weight:	Item No.
75-110 mm	80 mm	2,44 kg	2-220822 ●

● = Item produced for stock; ○ = Item produced on order; Explanations see page 84

Support height adjustable with scale

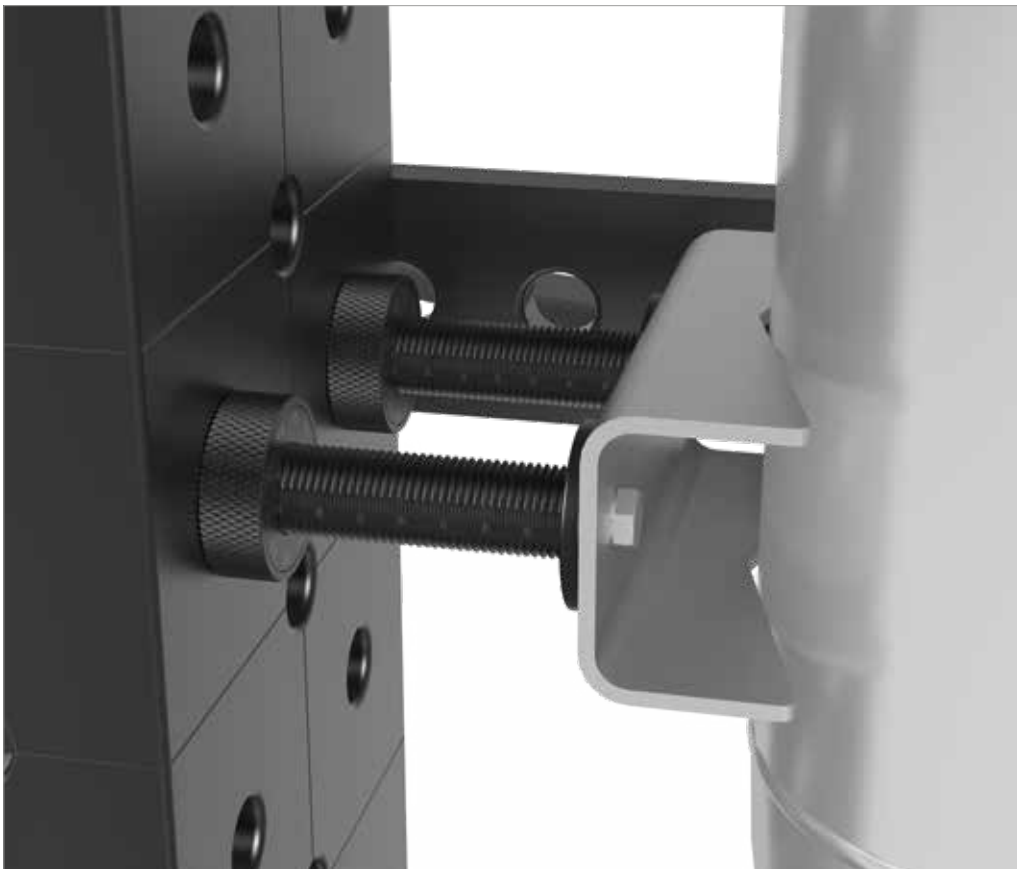
Description:

The height adjustable Support with scale offers a solid support surface and can be used in all system bore holes.

Available from 01.04.2019.



220824





	Length: (a)	Ø: (o)	Weight:	Item No.
Support height adjustable with scale - incl. Setscrew	134 mm	45 mm	0,52 kg	2-220824 ●

● = Item produced for stock; ○ = Item produced on order; Explanations see page 84

